

# ION DUO

Technical sheet

[sourcecotec.global](http://sourcecotec.global)



**sourcecotec**

**Introducing elegance into today's contemporary office environment**

The sleek and minimal in-desk module to suit the style of today's contemporary desking and workspace environment. "Less is more". ION DUO's clean shapes make it stand out in the market with its subtle approach to design.



**Elegant and streamlined to suit any imaginable environment**

The ION DUO module incorporates 'Trip free' circuit breakers which comply with section 5.5.7 a of BS6396.2022.

A trip-free circuit breaker is a breaker that will trip (open) even if the operating mechanism (ON-OFF switch) is held in the ON position.



Thermal reset switch



Wireless charging



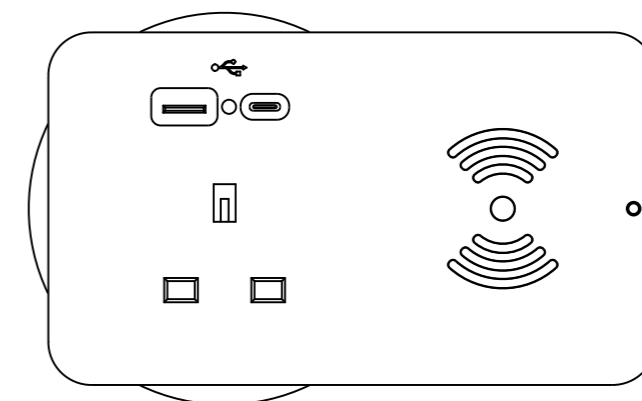
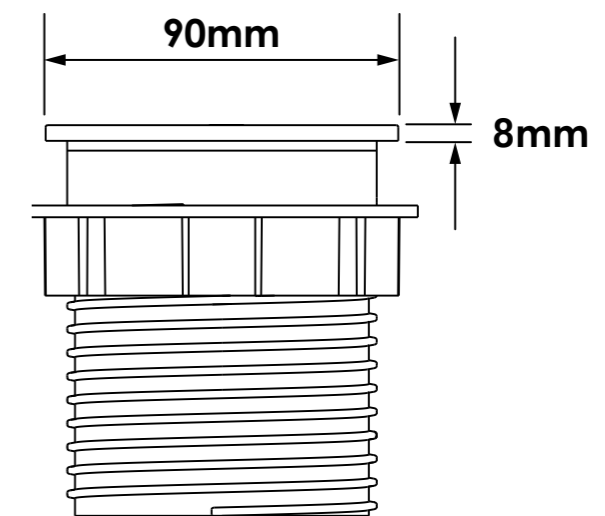
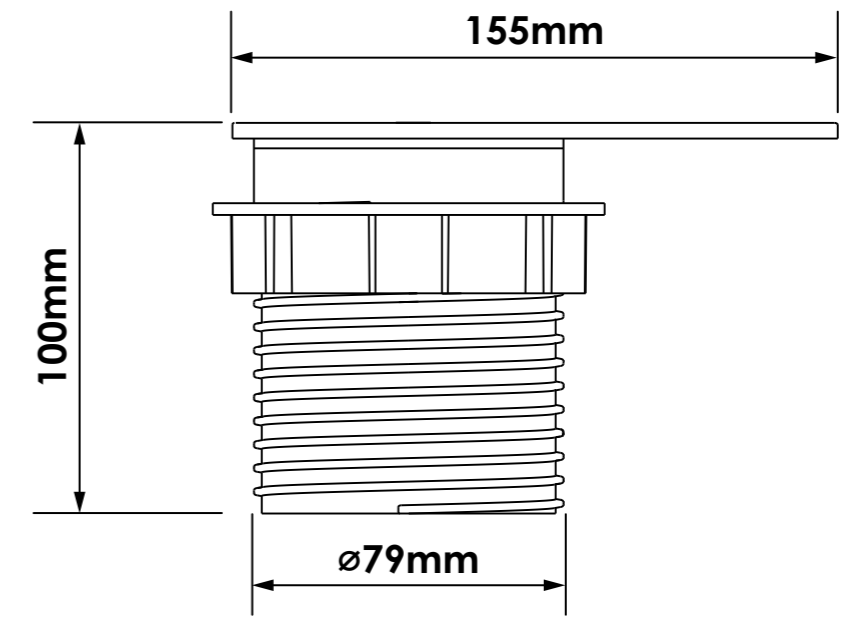
Dual charge USB type A+C



**TECHNICAL INFORMATION**

Sourcetec is a registered trademark & is part of the Workstories group.  
 Workstories Ltd Reg No: 08559545.  
 13 Northburgh Street, London, EC1V 0JP

Product code	SOU/P-ID-IOND-1DFCAC-B
Rating	220-240V~, 50/60Hz, MAX 3.5A
Max power	3A (TOTAL LOAD MUST NOT EXCEED 3A)
Cable	0.8m Drop Lead H05VV-F 3G1,5 to GST18 type plug
Socket outlet	1 x UK Socket
2x USB outlet	4.2A Dual Fast Charge USB, USB Type A: 2.4A, USB Type C: 3A (4.2A shared), Power charging indicator
Wireless charging	10W, Power charging indicator
Cut out	80mm
Overload	3.5A overload located in the base





### WIRELESS CHARGING

1. Phone must be aligned as per image above
2. When charging LED will stay on with white light
3. Always Take phone covers off
4. Phones compatible as follows:

<b>Apple</b>	iPhone 14 Pro, iPhone 14 Pro Max, iPhone 14, iPhone 14 Plus, iPhone 13 Pro, iPhone 13 Pro Max, iPhone 13, iPhone 13 mini, iPhone 12 Pro, iPhone 12 Pro Max, iPhone 12, iPhone 12 mini, iPhone SE, iPhone 11 Pro, iPhone 11 Pro Max, iPhone 11, iPhone XS Max, iPhone XS, iPhone XR, iPhone 8, iPhone 8 Plus
<b>BlackBerry</b>	Evolve X, Evolve, Priv, Q20, Z30, Passport
<b>Google</b>	Pixel 6 Pro, Pixel 6, Pixel 5, Pixel 4 XL, Pixel 4, Pixel 3 XL, Pixel 3, Nexus 4, Nexus 5, Nexus 6, Nexus 7
<b>Huawei</b>	P30 Pro, Mate 20 RS Porsche Design, Mate 20 X, Mate 20 Pro, P20 Pro, Mate RS Porsche Design
<b>LG</b>	G8 ThinQ, V35 ThinQ, G7 ThinQ, V30S ThinQ, V30, G6+ (US version only), G6 (US version only)
<b>Microsoft</b>	Lumia, Lumia XL
<b>Motorola</b>	Z series (with mod), Moto X Force, Droid Turbo 2
<b>Nokia</b>	9 PureView, 8 Sirocco, 6
<b>Samsung</b>	Galaxy Fold, Galaxy Z Fold 2 5G, Galaxy Z Flip, Galaxy Flip 5G, Galaxy Note 20, Galaxy Note 20 Ultra, Galaxy S20, Galaxy S20 Ultra, Galaxy S20 FE Edition, Galaxy S10, Galaxy S10+, Galaxy S10E, Galaxy Note 9, Galaxy S9, Galaxy S9+, Galaxy Note 8, Galaxy S8 Active, Galaxy S8, Galaxy S8+, Galaxy S7 Active, Galaxy S7 Edge, Galaxy S7, Galaxy S6 Edge+, Galaxy S6 Active, Galaxy S6 Edge, Galaxy S6

### Warranty

Workstories Ltd offers a 1-year warranty on our Sourcetec range.

This applies only if products have been used within and by standard office conditions. Wear and tear must be expected from normal use and are not covered by the warranty.

### General Care

#### CARE & MAINTENANCE

Apart from replacing or resetting fuses, Sourcetec products are manufactured to be maintenance free. Periodically clean the units by first disconnecting the power and then clean using a soft damp cloth. Do not use harsh chemical solvents or detergents. Dry immediately with a soft dry cloth.

#### TESTING

All Sourcetec units are tested before they leave the factory, any suspected damage or manufacturing defects need to be raised with Sourcetec immediately for further investigation.

### Environmental Practices

Workstories is dedicated to being environmentally conscious. We strive to ensure the continued availability of natural resources for current and future generations, and as part of our mission, we recognise the responsibility to protect human health, the environment, and natural resources, and to continually strive to improve the environmental quality of our operations.

To carry out this commitment, it is our policy to ensure all our factories:

Meet or exceed the requirements of all environmental laws and regulations applicable to our operations.

Limit our impact on the environment to the extent practicable and work to reduce recognised environmental risks to our employees and the communities in which we operate by employing safe technologies and operating procedures.

Continually assess our environmental programs and monitor our environmental performance.

Have operating policies and programs in place to implement our Environmental Quality Policy.

Workstories guarantees limited carbon footprint for our products. Workstories is a full member of FIRA and FISP. We hold FSC, ISO9001 and ISO14001 certifications.



# sourcetec

sourcetec:global