

*workstories...*

# ASSEMBLY GUIDE



ALBION

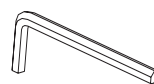
**Desking & Meeting**

—  
Goalpost / A-frame / Studio

info@workstories.com  
+44(0)20 3735 5224  
workstories.com

# single desk

## tool required



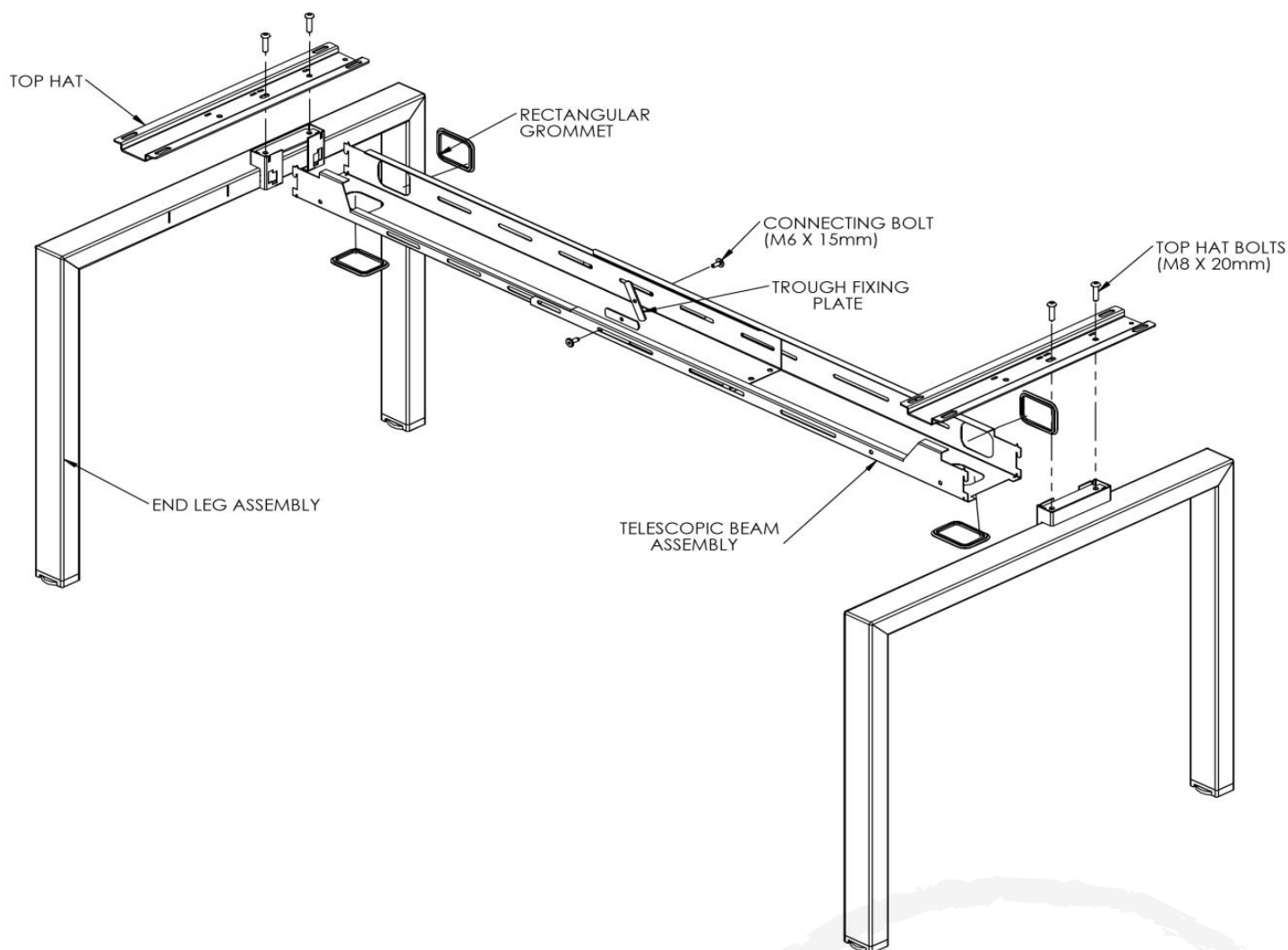
4/5mm  
allen key



Pozi  
screw driver



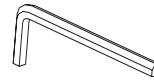
Rubber  
mallet



- Insert all cable grommets and feet
- Insert one end of telescopic beam into end leg (do not fix top hats) - at this point a rubber mallet may be required to knock beam into position (take care not to damage beam)
- Repeat with other end leg
- Secure top hats with bolts provided and tighten
- Slide beams to approx distance required to suit top length
- Hold trough fixing plates on inside of trough and screw in connecting bolts through slots provided and tighten
- Use fixings supplied with top hats to fix top

# bench / no intermediate leg

## tool required



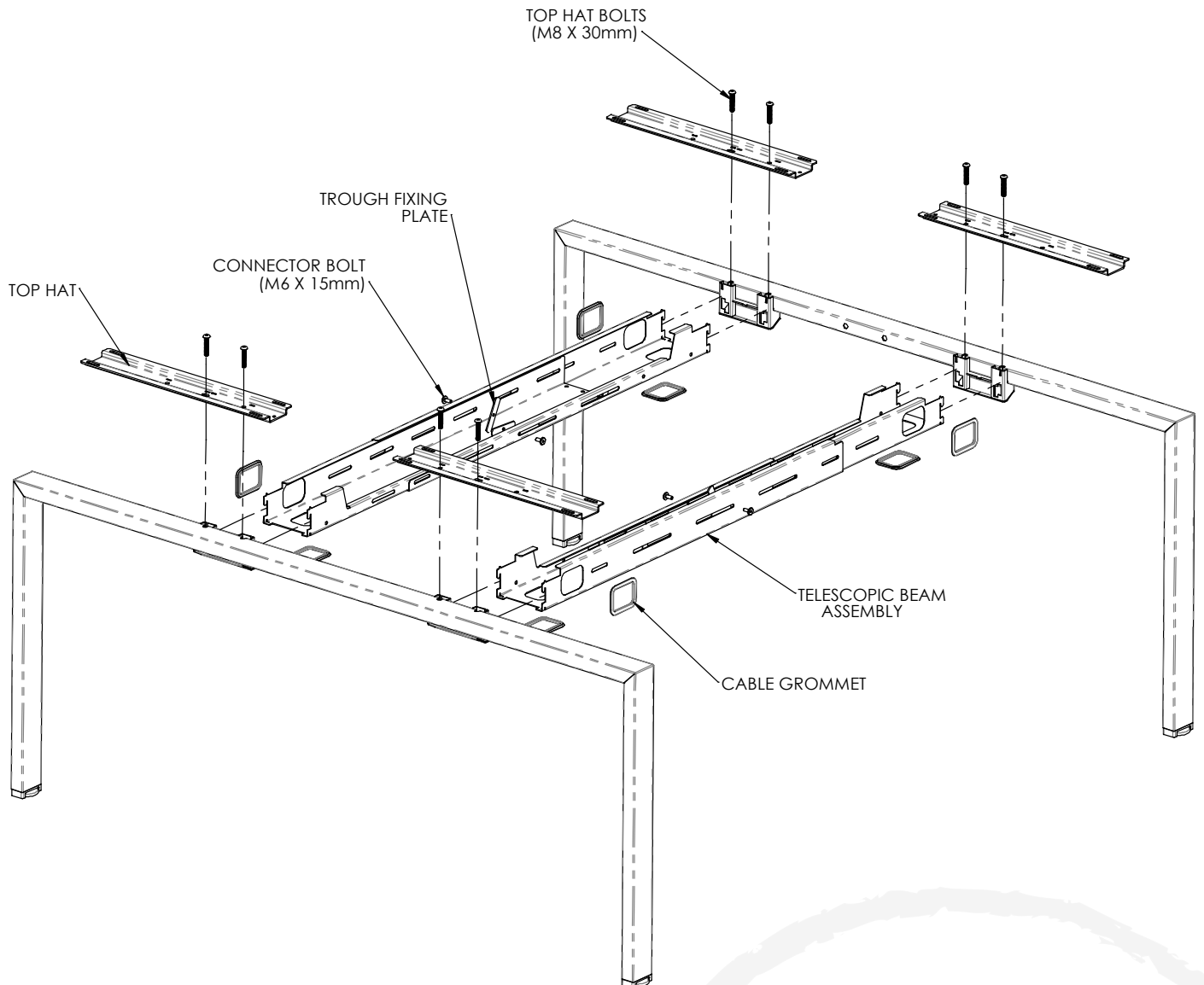
4/5mm  
allen key



Pozi  
screw driver



Rubber  
mallet



- Insert all cable grommets and feet
- Insert one end of telescopic beam into end leg (do not fix top hats) - at this point a rubber mallet may be required to knock beam into position (take care not to damage beam)
- Repeat with other end leg
- Secure top hats with bolts provided and tighten
- Slide beams to approx distance required to suit top length
- Hold trough fixing plates on inside of trough and screw in connecting bolts through slots provided and tighten
- Use fixings supplied with top hats to fix top

# bench / with intermediate leg

## tool required



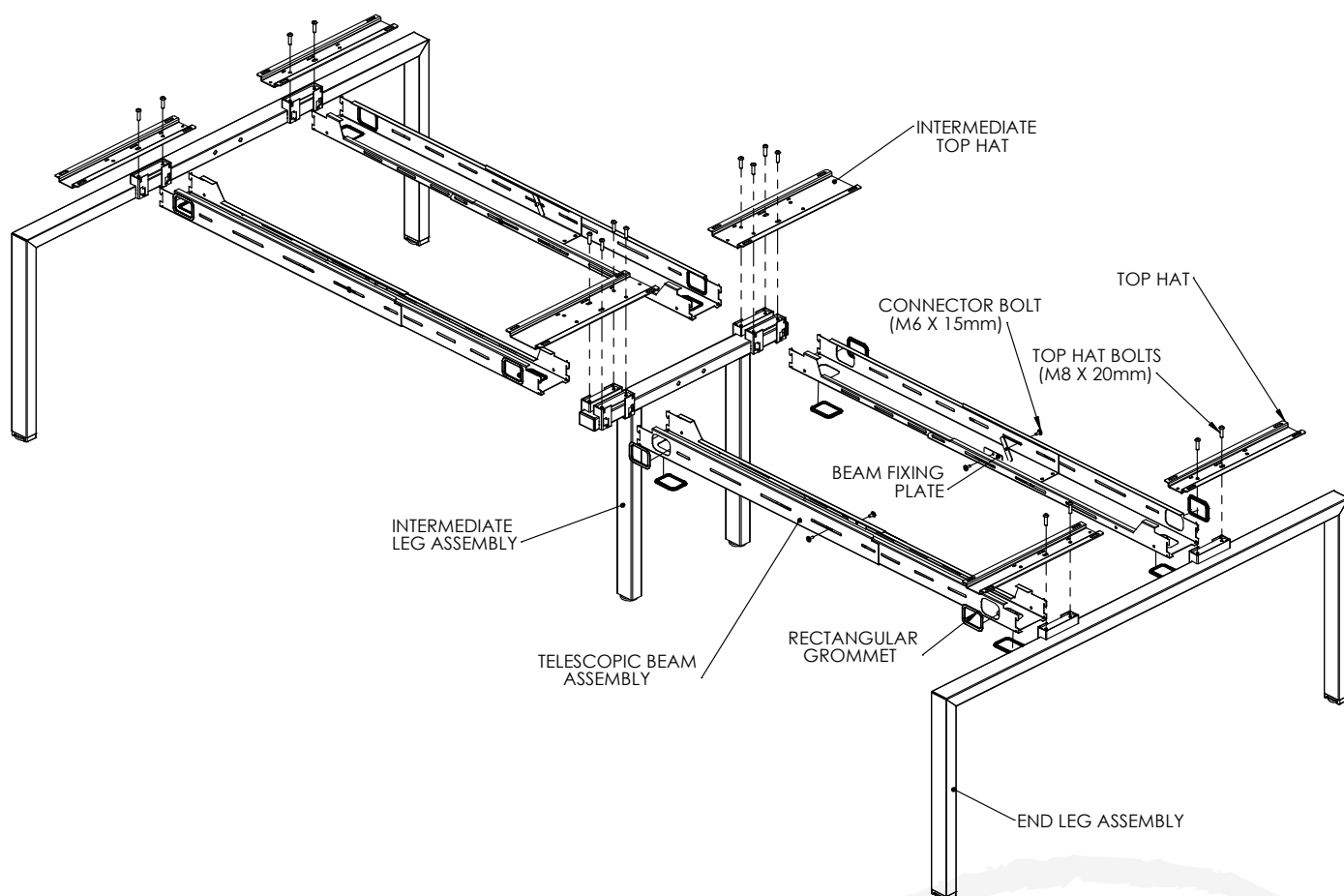
4/5mm  
allen key



Pozi  
screw driver



Rubber  
mallet



- Insert all cable grommets and feet
- Insert one end of telescopic beam into end leg (do not fix top hats) - at this point a rubber mallet may be required to knock beam into position (take care not to damage beam)
- Repeat with intermediate leg, and then with other end leg
- Secure top hats with bolts provided and tighten
- Slide beams to approx distance required to suit top length
- Hold trough fixing plates on inside of trough and screw in connecting bolts through slots provided and tighten
- Use fixings supplied with top hats to fix top



**SHOWROOM**

13 Northburgh Street,  
London EC1V 0JP

**CONTACT**

Info@workstories.com  
+44 (0)20 3735 5224

**workstories.com**