



# Air



## PRODUCT CARD

### SHOWROOM

—  
Parchment House  
13 Northburgh Street  
London EC1V 0JP

### CONTACT

—  
[info@workstories.com](mailto:info@workstories.com)  
+44 (0)20 3735 5224  
[workstories.com](http://workstories.com)





# Air

Designed by **M.A.D**

The Air collection is made of 4x independently fitted powder-coated legs with a sleek "aerodynamic" profile, for a classic yet distinctive look.

With the addition of intermediate legs and support beams, the Air meeting table can be manufactured to virtually any dimensions.

Power and data as well as cable management options from our Sourcetec range.



Available as desk, meeting table, coffee table.

Air Plus legs are available to support the largest tables.

# Finishes

**Top** – 11x standard MFC finishes.  
Bespoke finishes also available  
(incl. Forbo, Fenix, Veneer or  
Solid wood)  
**Frame** – White or Black

# Materials

**Frame** – Powder-coated tubular steel

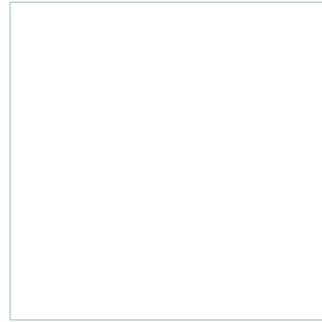


FINISHES

# Top - MFC Finishes



MFC/ANT Anthracite  
Kronospan U164



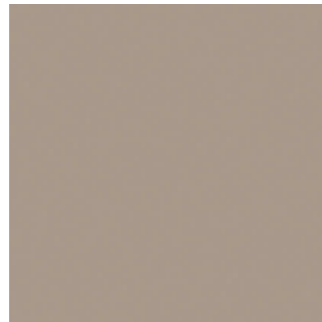
MFC/WH White  
Kronospan K101



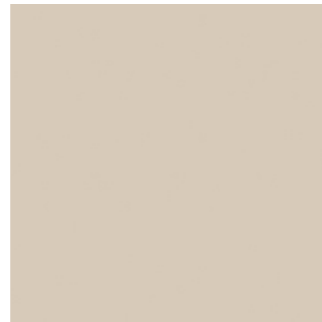
MFC/LGRY Light grey  
Kronospan U112



MFC/RG Reed Green  
Egger U604 ST9



MFC/SG Stone grey  
Egger U727



MFC/CG Cashmere Grey  
Egger U702 ST9



MFC/GCO Gold craft oak  
Kronospan K003



MFC/NNE Natural noble elm  
Kronospan D5500



MFC/KO Kaisersberg Oak  
Egger H3349 ST19

FINISHES

# Top - Forbo & Fenix Finishes

## FORBO



FOR/CHAR Charcoal  
Forbo 4166



FOR/CONI Conifer  
Forbo 4174

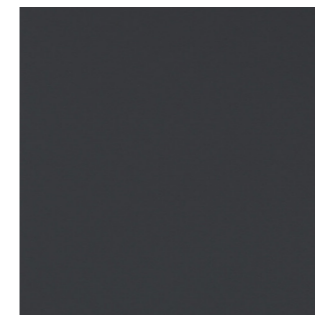


FOR/SB Smokey Blue  
Forbo 4179



FOR/VAP Vapour  
Forbo 4177

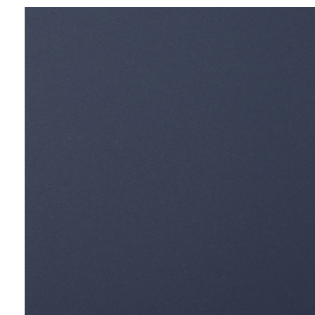
## FENIX



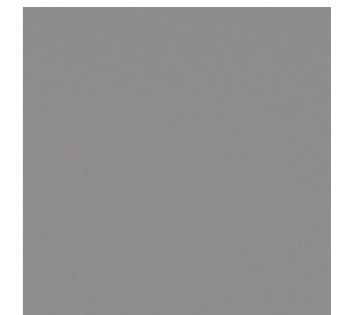
NANO/GRIB Grigio Bromo  
Fenix 0724



NANO/VER Verde Comodoro  
Fenix 0750



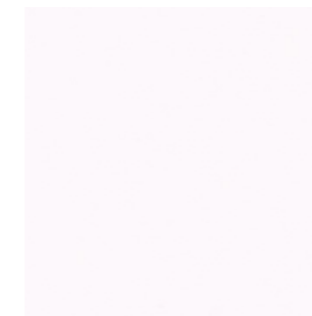
NANO/BLUF Blu Fes  
Fenix 0754



NANO/GRIE Grigio Efeso  
Fenix 0725



NANO/NERO Nero Ingo  
Fenix 0720

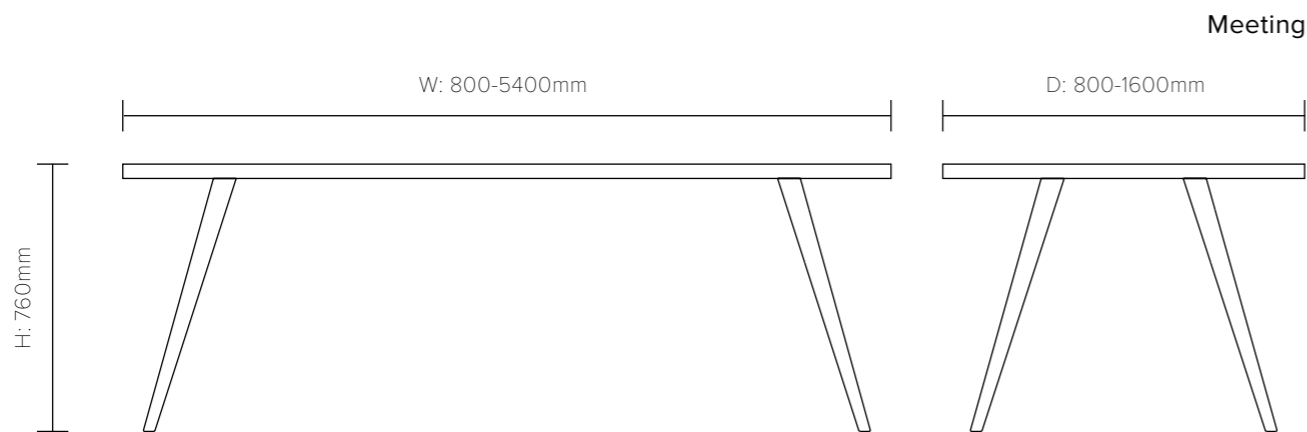
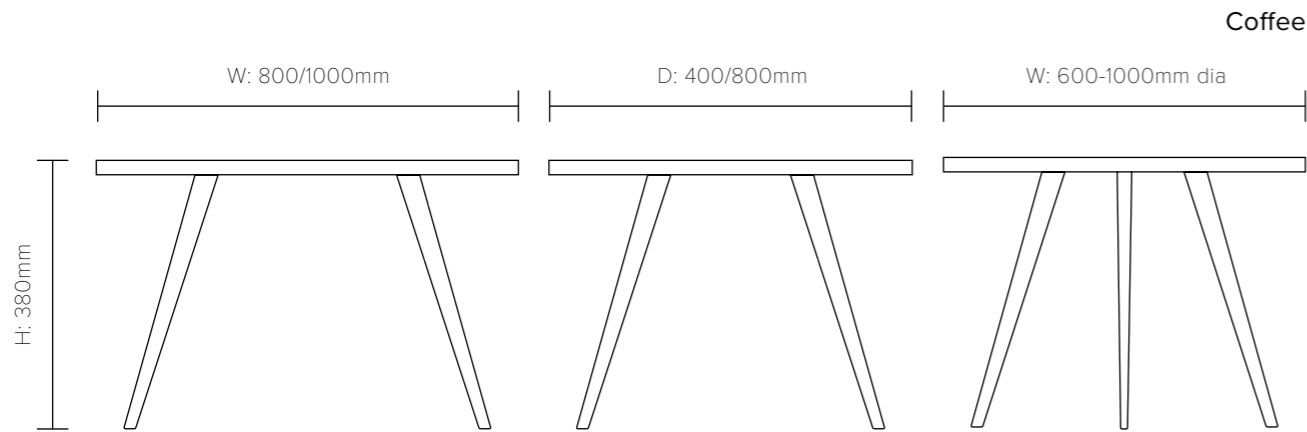
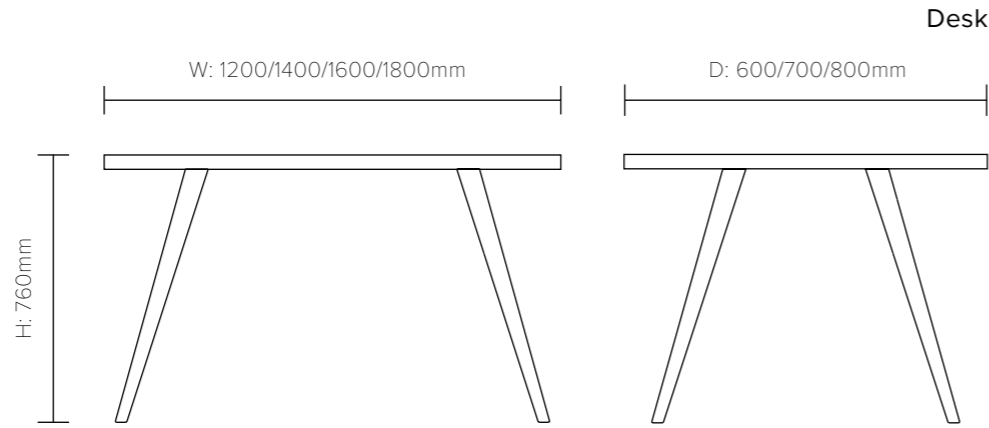


NANO/BIAA Bianco Alaska  
Fenix 0030

FINISHES

# Dimensions

Contact us for bespoke sizes



**Desk**

H: 760mm  
W: 1200/1400/1600/1800mm  
D: 600/700/800mm

**Coffee**

H: 380mm  
**Circular:** 600-1000mm dia  
(600 will be a 3 legged table)  
**Oval:** W: 1000mm D: 600mm  
**Rectangle:**  
W: 800/1000mm  
D: 400/800mm

**Meeting**

H: 760mm  
**Circular:** 900-2200mm dia  
**Square/Rectangle:**  
W: 800-5400mm  
D: 800-1600mm

**Warranty:** Workstories Ltd offers a 5-year warranty on our M.A.D range.

This applies only if products have been used within and by standard office conditions. Wear and tear must be expected from normal use and are not covered by the warranty.

**General Care**

**CLEANING & CARE**

– The furniture should be regularly cleaned with a soft, dry cloth in the direction of the wood grain. If required, a damp, soft cloth may be used. Do not use abrasive, ammonia, bleach, spirit or oil-based cleaners, including D10 sanitiser. Periodically check and tighten hardware as necessary. Any lost bumpers or feet should be replaced as soon as possible to avoid damage to the furniture or the floor surface.

**POWDER COATED METAL PARTS**

– Clean with lukewarm soapy water and rinse off with clean water. Wipe the entire surface with a clean, dry cloth.

**CABLE MANAGEMENT**

– Ensure no liquid is allowed to access the power modules. Should this happen, isolate from the electrical supply immediately and consult a qualified electrician.

**TOPS: MFC LAMINATE**

– All MFC products can easily be cleaned with a damp cloth and a mild soap, or detergent if necessary, and buffed dry with a clean cloth. Never use abrasive powders or scouring pads to clean stubborn marks. In extreme circumstances, a mild alcohol product can be used, however this must be followed by a damp cloth soaked in water, ensuring no alcohol residue is present afterwards.

**SAFETY WARNINGS**

– Furniture can be dangerous if improperly assembled or installed. Assembly should be completed by a qualified person following the provided assembly instructions.

Do not stand on furniture, as it could cause a fall. With assistance of another person, always lift, do not drag large or heavy furniture into position.

**Environmental Practices**

Workstories is dedicated to being environmentally conscious. We strive to ensure the continued availability of natural resources for current and future generations, and as part of our mission, we recognise the responsibility to protect human health and the environment, and to continually improve our operations.

To carry out this commitment, it is our policy to ensure all our factories:

Meet or exceed the requirements of all environmental laws and regulations applicable to our operations.

Limit our impact on the environment to the extent practicable and work to reduce recognised environmental risks to our employees and the communities in which we operate by employing safe technologies and operating procedures.

Continually assess our environmental programs and monitor our environmental performance.

Have operating policies and programs in place to implement our Environmental Quality Policy.

Workstories guarantees limited carbon footprint for our products. Workstories is a full member of FIRA and FISP. We hold FSC, ISO9001 and ISO14001 certifications.





Last updated: 08/04/2022

*workstories...*

[workstories.com](http://workstories.com)