



# Abion Meeting

PRODUCT CARD

**SHOWROOM**

—  
Parchment House  
13 Northburgh Street  
London EC1V 0JP

**CONTACT**

—  
[info@workstories.com](mailto:info@workstories.com)  
+44 (0)20 3735 5224  
[workstories.com](http://workstories.com)



**MADE IN  
THE UK**



ALBION

# Albion Meeting

Goalpost, A-frame, Studio

Designed by **ALBION**

Albion is our own collection of meeting tables designed for an environment where every square foot of office usage is scrutinised, and every component functionally necessary and aesthetically considered.



DESCRIPTION

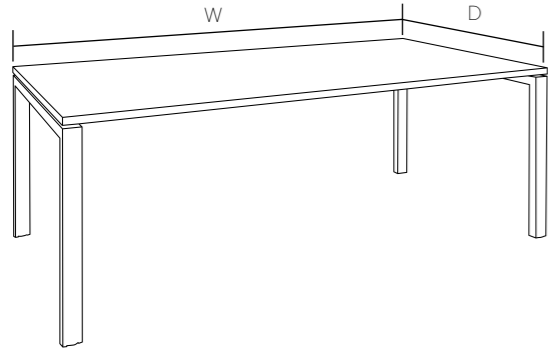
Albion furniture is handmade entirely in the UK to an almost infinite range of combinations. This is British craftsmanship made to last, for spaces that need to deliver.

# Dimensions

All tables are 740mm high

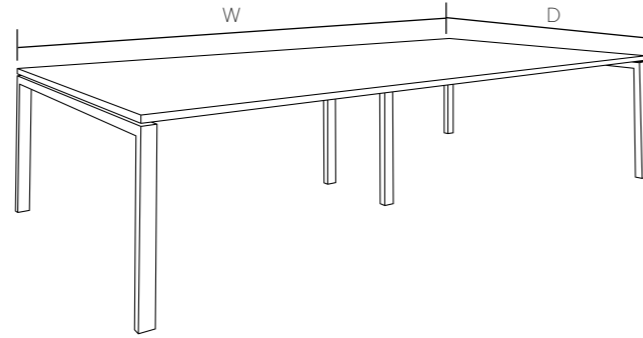
## Single top

D: 900/1200/1400/1600mm  
W: 1200/1400/1600/1800/2000/2200mm



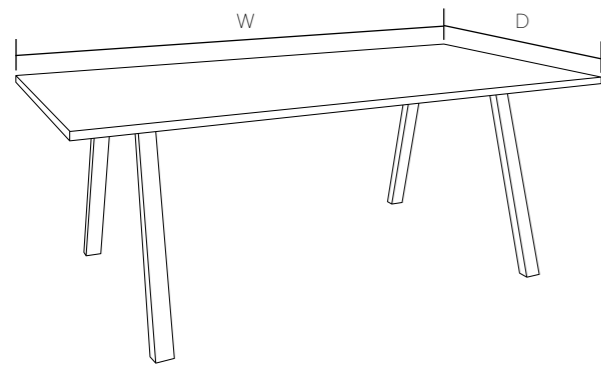
## Multi top

D: 900/1200/1400/1600mm  
W: 2400mm - Limitless



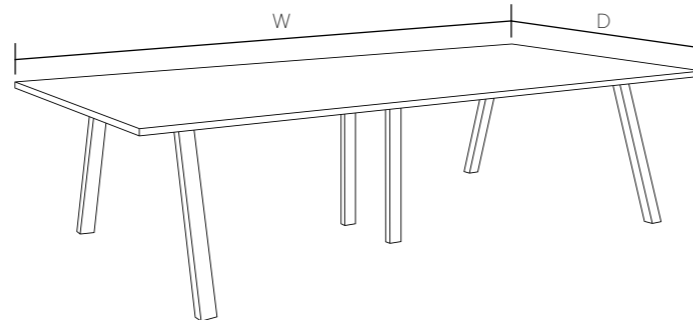
## Goalpost

D: 800\*/1000/1200/1400/1600mm  
W: 1200/1400/1600/1800/2000/2200/2400mm



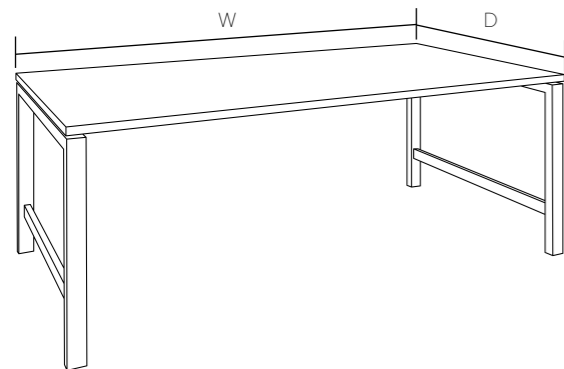
## A-frame

D: 800\*/1000/1200/1400/1600mm  
W: 2400mm - Limitless

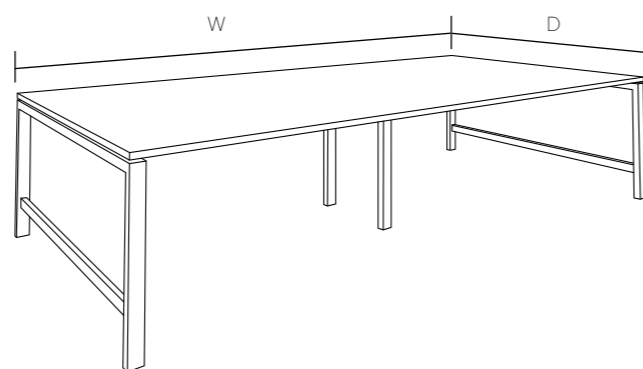


## Studio

D: 1200/1400/1600mm  
W: 1200/1400/1600/1800/2000/2200mm



D: 1200/1400/1600mm  
W: 2400mm - Limitless



\*Cut-out if needed, will be off-centre due to central beam  
\*\*3 piece top

# Accessories

Our meeting tables are available with an extensive range of power & data, found on [sourcetec.global](http://sourcetec.global).

Our meeting tables are also available with cable trays for your cable management needs.



# Framework

## Frame construction

The Albion range – Goalpost, A-Frame and Studio – utilises the inherent flexibility of a telescopic beam system to enable the construction of a multitude of layouts and configurations, from workstations to meeting room tables, using the minimum number of stock components possible.

Goalpost, A-Frame and Studio meeting tables are 740mm high with 25mm thick top and 60 x 40mm solid steel tube profile with 15mm floating gap.

## Frame colours available



**BLACK**  
(smooth satin)



**WHITE**  
(textured matt)



**RAW STEEL**  
(smooth satin)



# Top

Top – Standard MFC finishes.  
Bespoke finishes also available  
(incl. Forbo, Fenix, Veneer or  
Solid wood)



# Top - Bespoke finishes

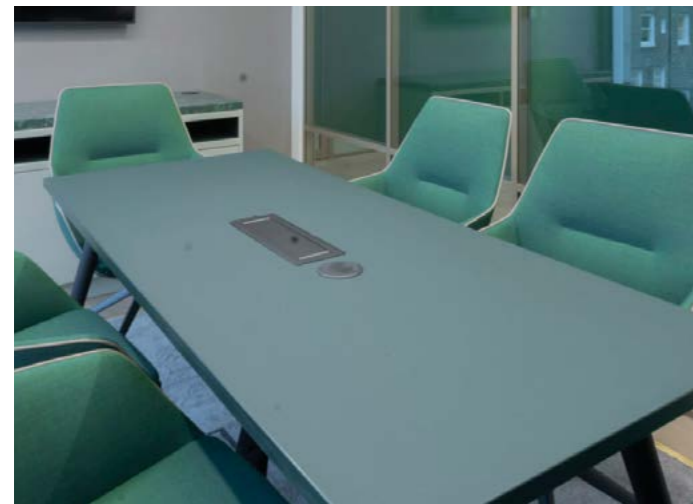
## Bespoke options

Alongside the flexibility of our Albion system, we are also able to provide a wide range of fully bespoke table tops to fit a variety of different looks, requirements and budgets.

## Some of the finishes available

- MFC
- Formica Laminate
- Forbo Linoleum
- Veneer
- Nanotech Laminate
- Solid Wood
- Distressed Wood

Featuring a variety of edge details and cable access solutions, there is very little we can't achieve. We have a wealth of samples available to view in our London showroom. Please contact us to arrange a visit.



## Warranty

Workstories Ltd offers a 15-year warranty on our Albion range.

This applies only if products have been used within and by standard office conditions. Wear and tear must be expected from normal use and are not covered by the warranty.

## General Care

### FRAMEWORK

Albion frameworks are considered to be maintenance free. However, where cleaning of the frame is required, a mild detergent solution should be used. Use of harsh abrasives, acids, alkalis or bleaching products is not recommended.

### CABLE MANAGEMENT

Ensure no liquid is allowed to access the power modules. Should this happen, isolate from the electrical supply immediately and consult a qualified electrician.

### TOPS: MFC LAMINATE

All MFC products can easily be cleaned with a damp cloth and a mild soap, or detergent if necessary, and buffed dry with a clean cloth. Never use abrasive powders or scouring pads to clean stubborn marks. In extreme circumstances, a mild alcohol product can be used, however this must be followed by a damp cloth soaked in water, ensuring no alcohol residue is present afterwards.

### TOPS: FORBO FURNITURE LINOLEUM

Please refer to the supplier's instructions: [https://www.forbo.com/flooring/en-gl/products/linoleum/furniture-linoleum/bnare2#panel\\_104](https://www.forbo.com/flooring/en-gl/products/linoleum/furniture-linoleum/bnare2#panel_104)

### TOPS: FORMICA LAMINATE

Please refer to the supplier's instructions: <http://www.formica.com/en/us/products/formica-laminate#documentsTab>

### TOPS: FENIX NTM

Fenix options can be viewed [here](#)

### WOOD FINISHES

The fine finish applied during manufacture is a hard protective lacquer resistant to moderate heat and spillages of some beverages, but not alcohol. All spillages should be wiped off immediately with

a slightly damp cloth to avoid any permanent staining. Always wipe surfaces in the direction of the wood grain. More stubborn stains can generally be removed by applying a mild, lukewarm non-abrasive soap solution using a soft lint-free cloth, gently rubbing over the stain working up a thin lather. Dry immediately using a clean soft cloth.

### SAFETY WARNINGS

Furniture can be dangerous if improperly assembled or installed. Assembly should be completed by a qualified person following the provided assembly instructions.

Do not stand on furniture, as it could cause a fall. With assistance of another person, always lift, do not drag large or heavy furniture into position.

## Environmental Practices

Workstories is dedicated to being environmentally conscious. We strive to ensure the continued availability of natural resources for current and future generations, and as part of our mission, we recognise the responsibility to protect human health and the environment, and to continually improve our operations.

To carry out this commitment, it is our policy to ensure all our factories:

Meet or exceed the requirements of all environmental laws and regulations applicable to our operations.

Limit our impact on the environment to the extent practicable and work to reduce recognised environmental risks to our employees and the communities in which we operate by employing safe technologies and operating procedures.

Continually assess our environmental programs and monitor our environmental performance.

Have operating policies and programs in place to implement our Environmental Quality Policy.



Last updated: 12/07/2023

*workstories...*

[workstories.com](http://workstories.com)