



Transit Seating

PRODUCT CARD

SHOWROOM

—

Parchment House
13 Northburgh Street
London EC1V 0JP

CONTACT

—

info@workstories.com
+44 (0)20 3735 5224
workstories.com





Transit

Designed by **M.A.D**

The Transit is a sleek and contemporary collection available in any fabric beautifully upholstered and in a range of veneer finishes, with the ability to mix an upholstered seat with a veneer back.



DESCRIPTION

Available as café chair, high stool and low stool.

Finishes

- Seat** – Natural ash, Black ash or Walnut
Upholstery – Any fabric of your choice
Frame – Black, Red*, Blue*, Pink* or Yellow*
 * For Transit chairs only

Materials

- Seat** – Upholstered moulded plywood shell, veneer
Frame – Powder-coated tubular steel

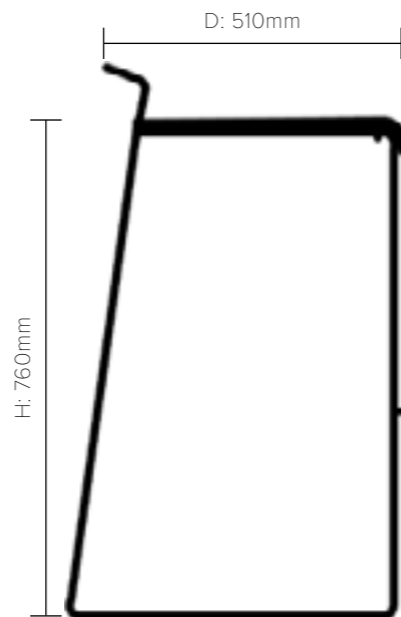
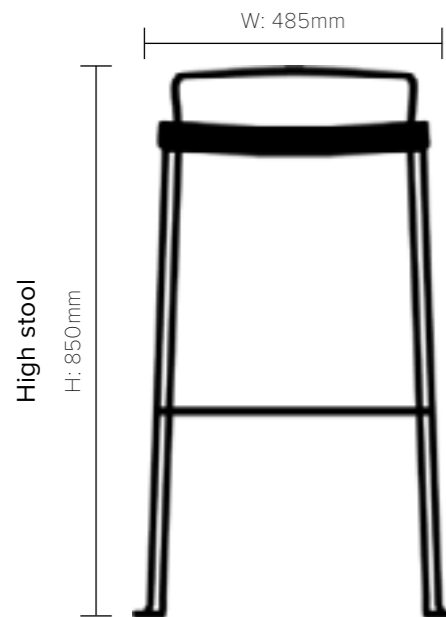
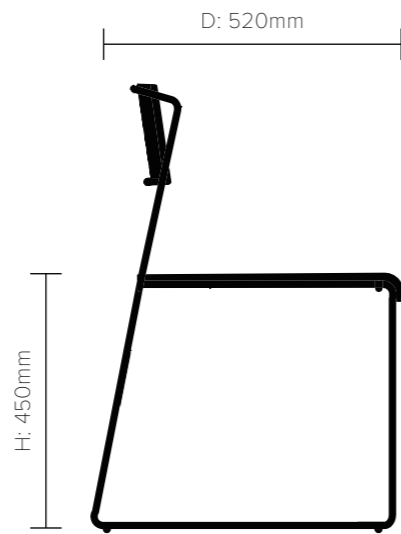
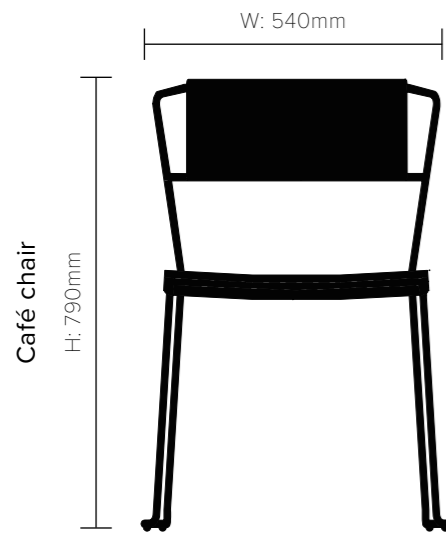
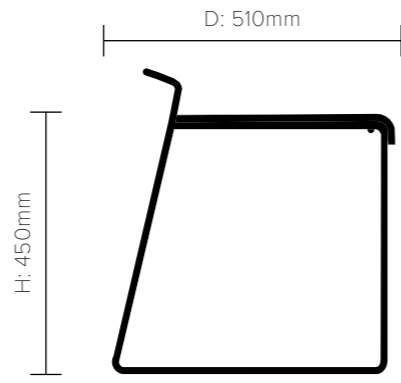
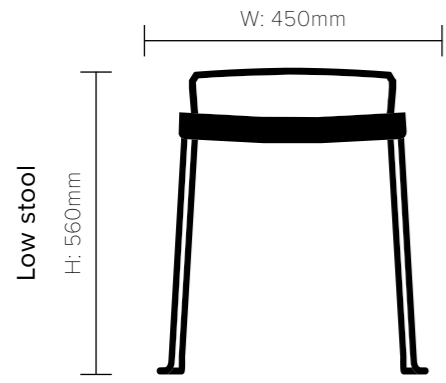


Fabric bands

	BAND 1	BAND 2	BAND 3	BAND 4	BAND 5	BAND 6	BAND 7	BAND 8
AGUA		Buro						
BUTE							Storr	
CAMIRA	Citadel	Advantage	Halycon: Aspen Blossom Cedar	24/7 Flax	Armadillo	Corrosion		
	Era	Aspect		Aquarius	Craggan Flax	Synergy Quilt: Channel Chevron Hourglass		
	Gravity	Main Line Flax		Blazer	Yoredale			
	Phoenix	Main Line Plus	High Tech	Silk				
	Rivet	Manhattan	Oceanic	Track				
		Patina	Synergy					
		Urban Plus						
		Vita Vinyl						
	X2							
	Xtreme							
CHIEFTAIN		Just Colour Vinyl						
GABRIEL			Step	Step Melange			Comfort plus	
KVADRAT				Canvas	Divina 3	Divina MD	Coda	Razzle Dazzle
				Clara 2	Divina Melange 2	Galaxy	Sunniva	
					Field	Recheck	Twill Weave	
					Fiord			
					Flyod			
					Hallingal			
					Remix			
					ReWool			
					Steelcut			
				Steelcut Trio				
				Tonica 2				
PANAZ		Cadet Vinyl		Aston				
ROMO				Laser FR	Leaf II			
				Sahara FR	Smooth FR			
					Tone			
SAHCO						Cuba		
SPECTRUM			Spectrum Vinyl					
SVENSSON				Easy	Accessoire			
				Harper	Be On			
				Semi	Heritage			
				Tone	Moss			
				Urban	Rami			
					Revolt			
				Vy				
VESCOM				Furka Plus		Ponza		
ULTRA LEATHER					UL Original			
					UL Brisa			
YARN COLLECTIVE							Ismay Boucle	
YARWOOD		Dollaro Faux Leather						

This list is for guidance only and not exhaustive.
 If the fabric you are after is not above, please send your enquiry to the Sales team.

Dimensions



Low stool
 W: 450mm
 D: 510mm
 H: 560mm
 Seat (H): 450mm
 Seat (H) Upholstered: 460mm

Café chair
 W: 540mm
 D: 520mm
 H: 790mm
 Seat (H): 450mm
 Seat (H) Upholstered: 460mm

High stool
 W: 485mm
 D: 510mm
 H: 850mm
 Seat (H): 760mm
 Seat (H) Upholstered: 770mm

DIMENSIONS

Certificates

The Transit collection meets or exceeds ANSI/ BIFMA X5.1. Materials meet or exceed ANSI/ BIFMA M7.1 VOC emissions standards for office furniture.

Workstories guarantees limited carbon footprint for our products. Workstories is a full member of FIRA and FISP. We hold FSC, ISO9001 and ISO14001 certifications.



General Care

CLEANING & CARE

The furniture should be regularly cleaned with a soft, dry cloth in the direction of the wood grain. If required, a damp, soft cloth may be used. Do not use abrasive, ammonia, bleach, spirit or oil-based cleaners, including D10 sanitiser. Periodically check and tighten hardware as necessary. Any lost bumpers or feet should be replaced as soon as possible to avoid damage to the furniture or the floor surface.

UPHOLSTERY

Upholstered furniture gets dusty and this can dull the colours and reduce the life of fabrics. Lightly vacuum or brush regularly but never use a stiff brush as this could damage the fibres. If you spill something on the upholstery, wipe excess liquid up immediately with a clean absorbent cloth. Then follow the fabric manufacturers cleaning instructions.

WOOD FINISHES

The fine finish applied during manufacture is a hard protective lacquer resistant to moderate heat and spillages of some beverages, but not alcohol. All spillages should be wiped off immediately with a slightly damp cloth to avoid any permanent staining.

For general routine cleaning, simply dust and wipe your veneered surfaces with a soft, damp, lint-free cloth. Dry immediately using a soft and clean cloth. Always wipe surfaces in the direction of the wood grain. More stubborn stains can generally be removed by applying a mild, lukewarm non-abrasive soap solution using a soft lint-free cloth, gently rubbing over the stain working up a thin lather. Take care not to apply too much liquid and remember to always rub in the direction of the wood grain. Dry immediately using a clean soft cloth.

POWDER COATED METAL PARTS

Clean with lukewarm soapy water and rinse off with clean water. Wipe the entire surface with a clean, dry cloth.

SAFETY WARNINGS

Furniture can be dangerous if improperly assembled or installed. Assembly should be completed by a qualified person following the provided assembly instructions.

Do not stand on furniture, as it could cause a fall. With assistance of another person, always lift, do not drag large or heavy furniture into position.

Warranty

Workstories Ltd offers a 5-year warranty on our M.A.D range.

This applies only if products have been used within and by standard office conditions. Wear and tear must be expected from normal use and are not covered by the warranty.

Environmental Practices

Workstories is dedicated to being environmentally conscious. We strive to ensure the continued availability of natural resources for current and future generations, and as part of our mission, we recognise the responsibility to protect human health and the environment, and to continually improve our operations.

To carry out this commitment, it is our policy to ensure all our factories:

Meet or exceed the requirements of all environmental laws and regulations applicable to our operations.

Limit our impact on the environment to the extent practicable and work to reduce recognised environmental risks to our employees and the communities in which we operate by employing safe technologies and operating procedures.

Continually assess our environmental programs and monitor our environmental performance.

Have operating policies and programs in place to implement our Environmental Quality Policy.



Last updated: 01/10/2021

workstories...

workstories.com