




workstories...

ASSEMBLY GUIDE

MEETING/POSEUR/BENCH — DRAFT

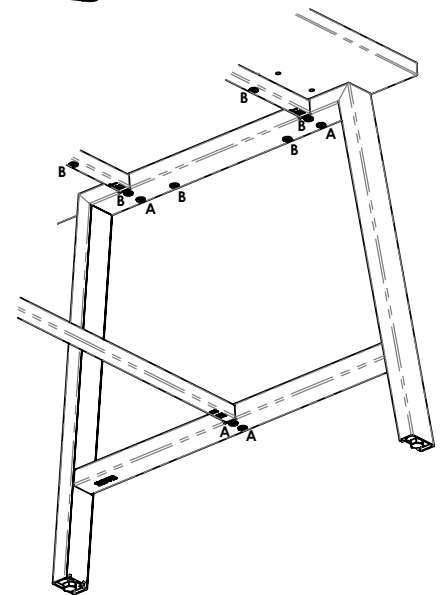
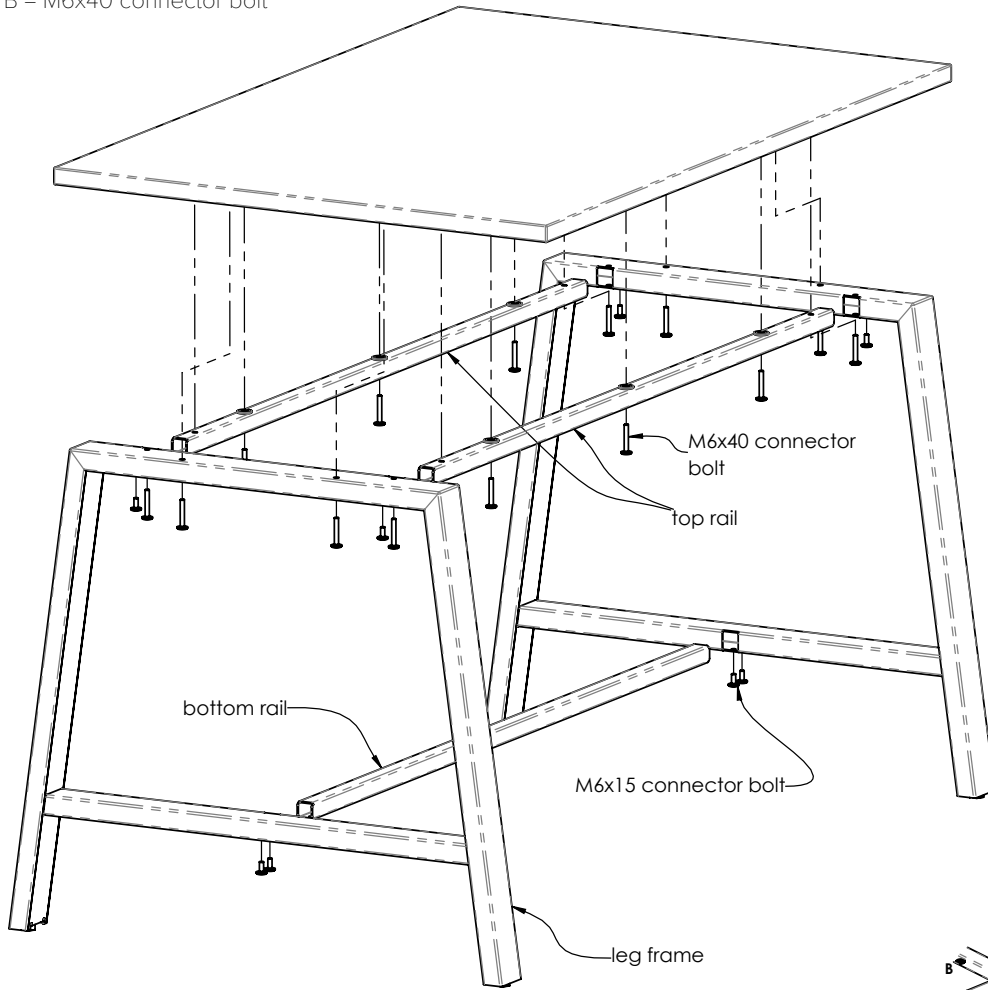
workstories

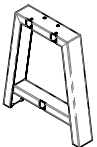
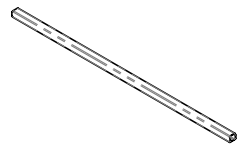
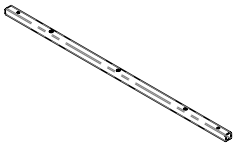
Draft - Meeting

Tool required		Hardware	
	x1 4mm allen key	 x14 M6x40mm	 x8 M6x15mm

Fixing sizes



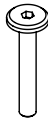
A = M6x15 connector bolt
B = M6x40 connector bolt



		
Leg frame	Bottom rail	Top rail
x2	x1	x2

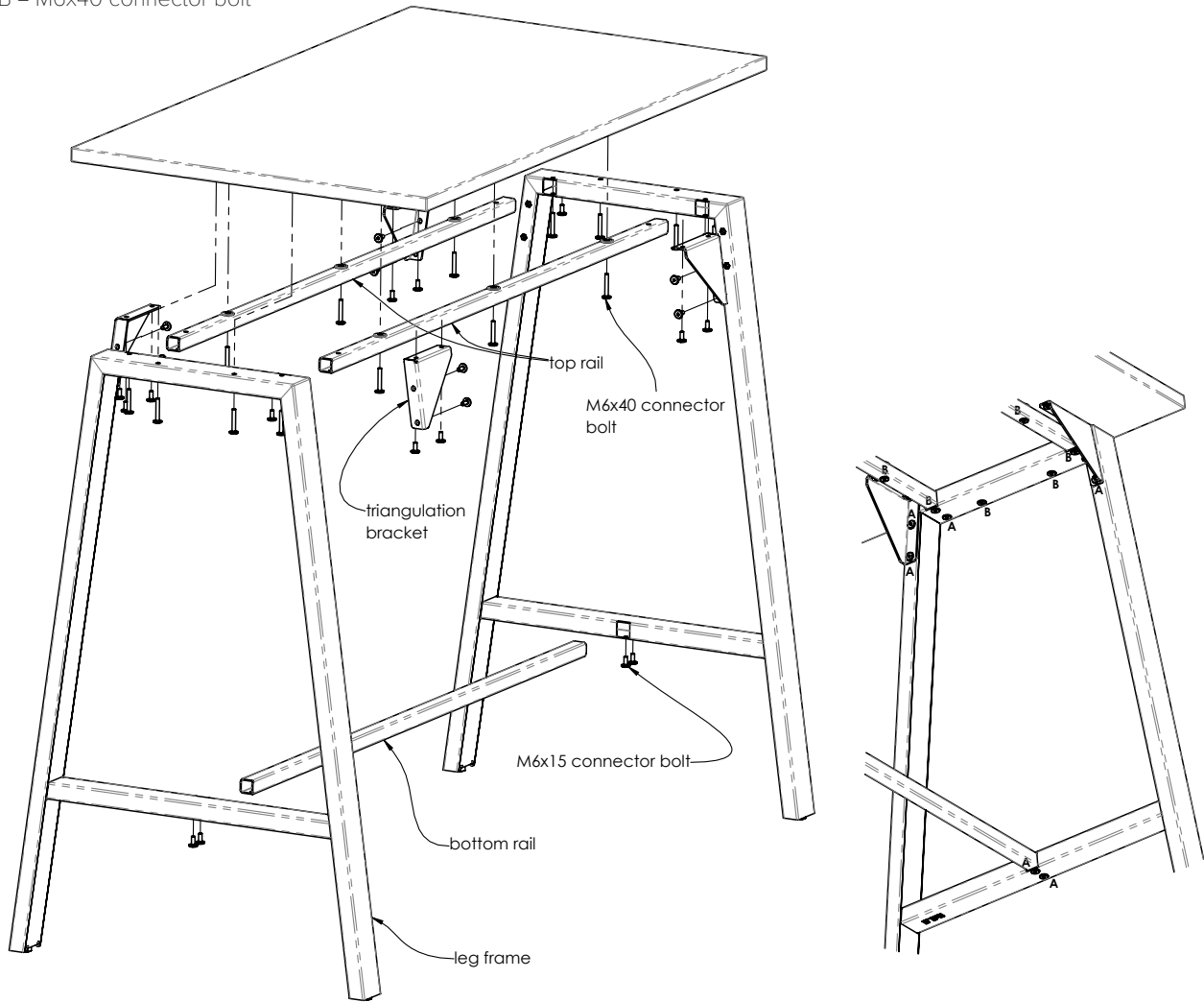
- Remove and recycle all packaging appropriately.
- Insert bottom rail and both top rails fully into one leg frame and secure with M6x15 connector bolts.
- Offer up the other leg frame and slot over the rail ends and secure with M6x15 connector bolts.
- Place the top onto the framework and secure in place with M6x40 connector bolts through all remaining holes.

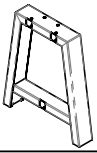
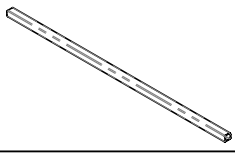
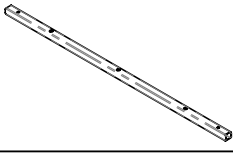
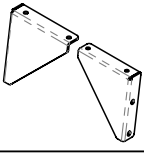
Draft - Poseur

Tool required		Hardware	
	x1 4mm allen key	 x14 M6x40mm	 x8 M6x15mm

Fixing sizes




A = M6x15 connector bolt
B = M6x40 connector bolt



			
Leg frame	Bottom rail	Top rail	Triangulation brackets
x2	x1	x2	x4

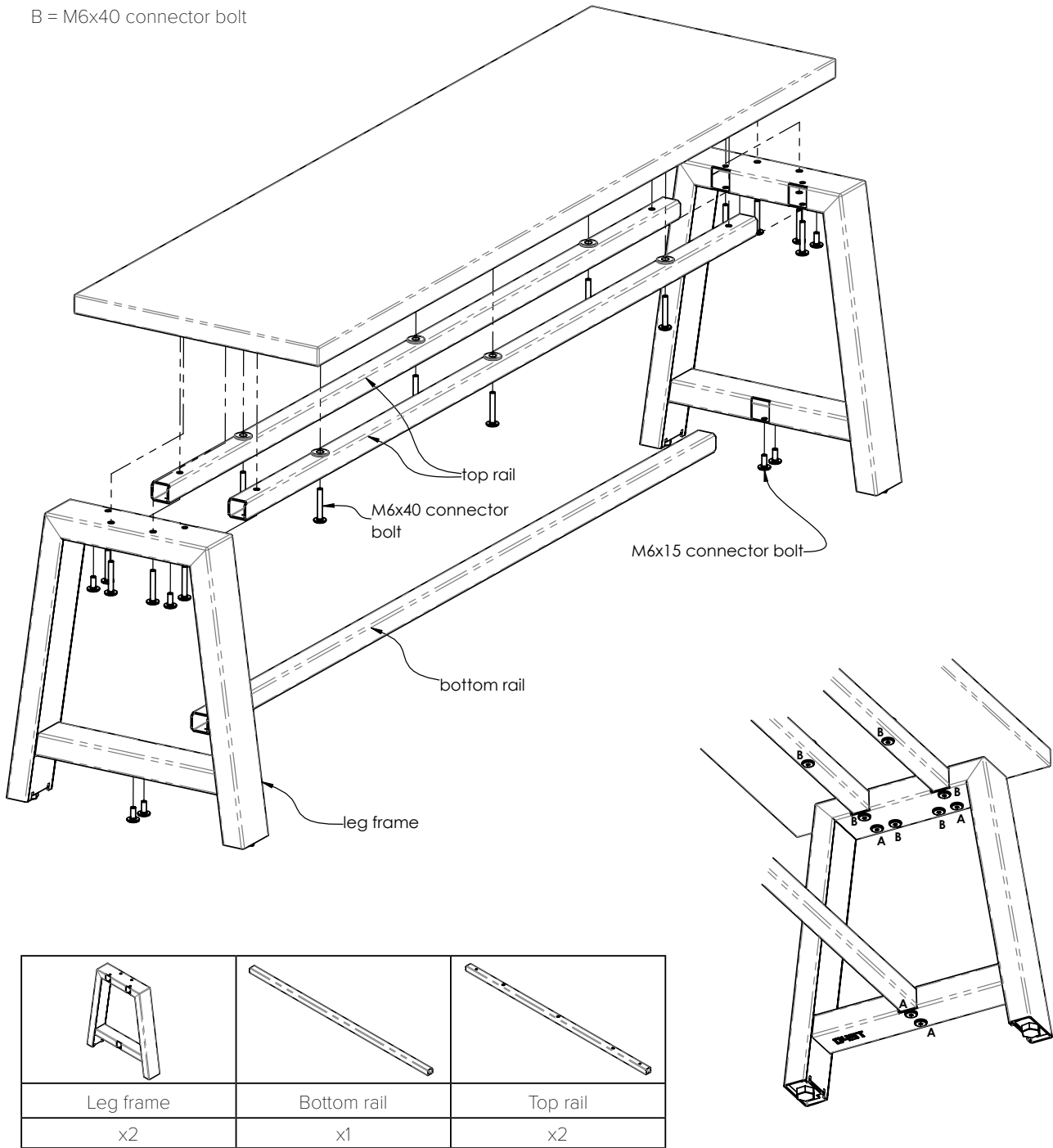
- Remove and recycle all packaging appropriately.
- Secure triangulation brackets to the leg frames with M6x15 connector bolts
- note: these brackets are handed LH/RH
- Insert bottom rail and both top rails fully into one leg frame and secure with M6x15 connector bolts.
- Offer up the other leg frame and slot over the rail ends and secure with M6x15 connector bolts.
- Place the top onto the framework and secure in place with M6x15 connector bolts through the triangulation brackets and M6x40 connector bolts through all remaining holes.

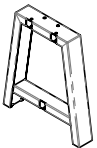
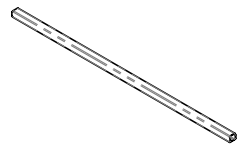
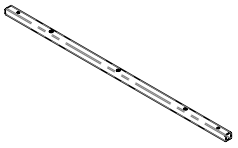
Draft - Bench

Tool required		Hardware	
	x1 4mm allen key	 x14 M6x40mm	 x8 M6x15mm

Fixing sizes

A = M6x15 connector bolt
B = M6x40 connector bolt



		
Leg frame	Bottom rail	Top rail
x2	x1	x2

- Remove and recycle all packaging appropriately.
- Insert bottom rail and both top rails fully into one leg frame and secure with M6x15 connector bolts.
- Offer up the other leg frame and slot over the rail ends and secure with M6x15 connector bolts.
- Place the top onto the framework and secure in place with M6x40 connector bolts through all remaining holes.



SHOWROOM

—
Parchment House
13 Northburgh Street
London EC1V 0JP

CONTACT

—
info@workstories.com
+44 (0)20 3735 5224
workstories.com