



Profile Coffee & Side

PRODUCT CARD

SHOWROOM

—
Parchment House
13 Northburgh Street
London EC1V 0JP

CONTACT

—
info@workstories.com
+44 (0)20 3735 5224
workstories.com



atelier

Profile Coffee & Side

Designed by **ATELIER**

The Profile Coffee and Side table have been designed to mirror the elegant design language of the Profile Sofa. The table has been shaped to express the simplicity and beauty of formed sheet steel. While designing the Profile tables, we adopted a 'less is more' approach resulting in a stunning table with only a handful of components.



Profile coffee: available in 4 dimensions as standard.
Bespoke sizes and finishes can be discussed for your projects.
Profile side: available in 460x460mm.

Dimensions

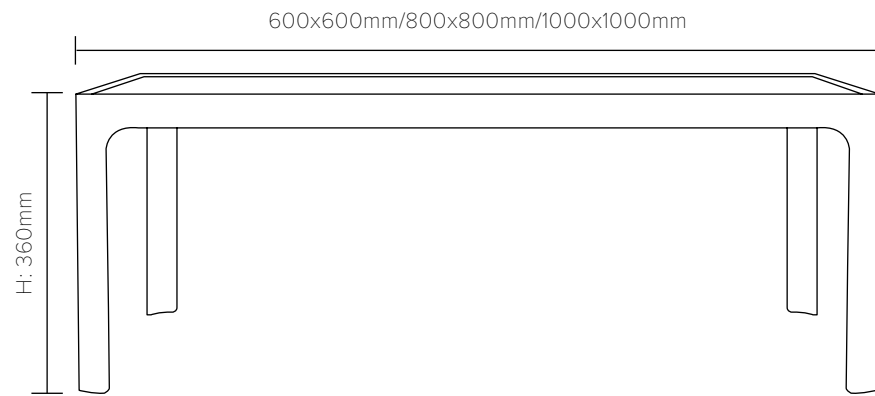
Profile Coffee

Square: 600x600mm/800x800mm/1000x1000mm
Rectangle: 1200x600mm
H: 360mm

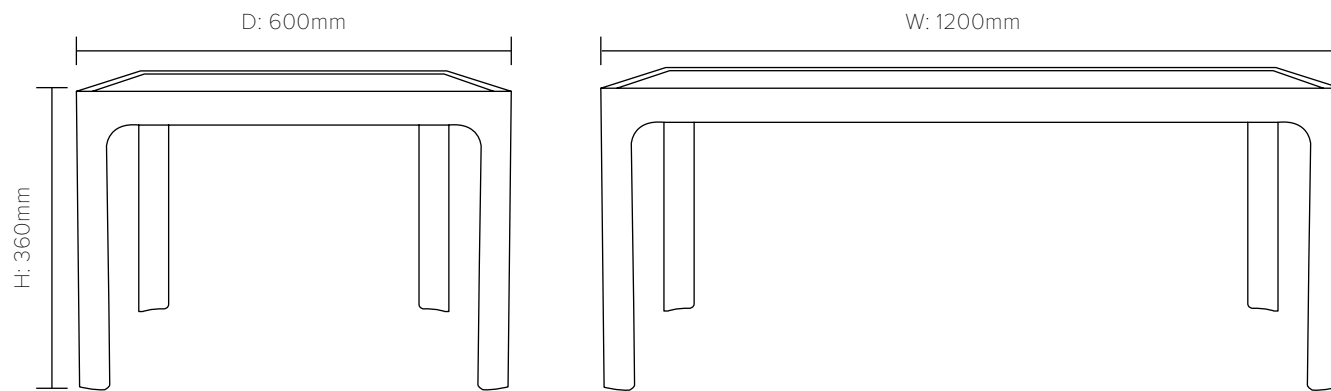
Profile Side

Square: 460x460mm
H: 450mm

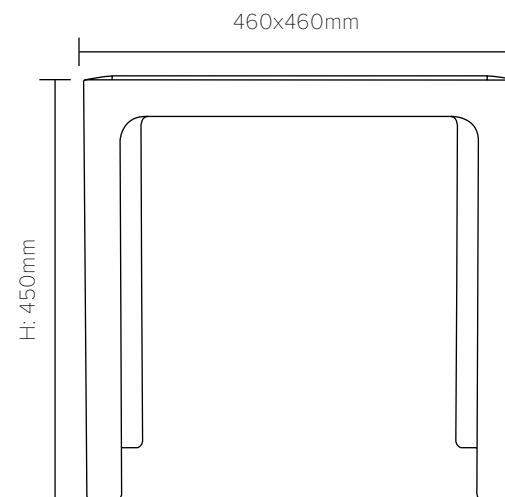
Coffee - Square:



Coffee - Rectangle:



Side - Square:



Finishes

Top – 18mm standard MFC finishes.
Bespoke finishes also available
(incl. Forbo, Fenix, Veneer or
Solid wood)

Frame – Black as standard. Bespoke powder-
coating available P.O.A.

Materials

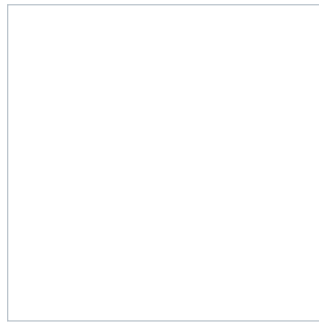
Frame – Sheet steel



Top - MFC Finishes



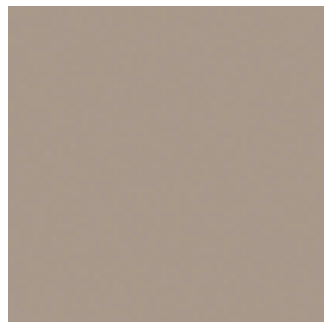
MFC/ANT Anthracite*
Kronospan U164



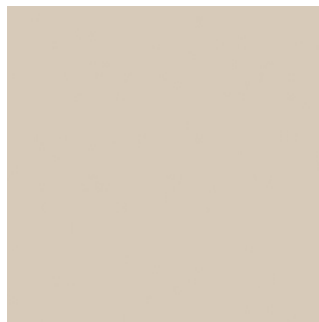
MFC/WH White
Kronospan K101



MFC/LGRY Light grey
Kronospan U112



MFC/SG Stone grey
Egger U727



MFC/CG Cashmere Grey
Egger U702 ST9



MFC/KO Kaisersberg Oak*
Egger H3349 ST19

* Subject to an upcharge

Top - Forbo & Fenix Finishes

FORBO



FOR/CHAR Charcoal
Forbo 4166



FOR/CONI Conifer
Forbo 4174

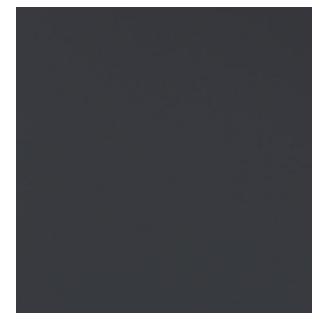


FOR/SB Smokey Blue
Forbo 4179



FOR/VAP Vapour
Forbo 4177

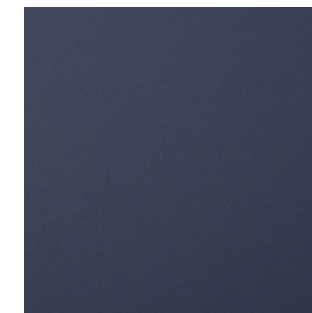
FENIX



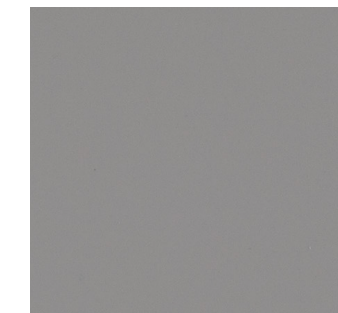
NANO/GRIB Grigio Bromo
Fenix 0724



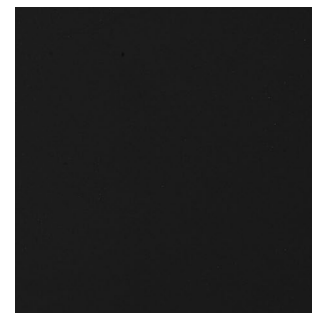
NANO/VER Verde Comodoro
Fenix 0750



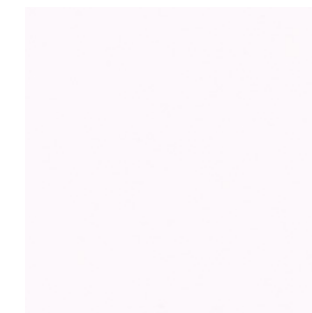
NANO/BLUF Blu Fes
Fenix 0754



NANO/GRIE Grigio Efeso
Fenix 0725



NANO/NERO Nero Ingo
Fenix 0720



NANO/BIAA Bianco Alaska
Fenix 0030

Warranty

The Profile collection is registered with ACID (Anti Copying In Design).

Workstories Ltd offers a 5-year warranty on our Atelier range.

This applies only if products have been used within and by standard office conditions. Wear and tear must be expected from normal use and are not covered by the warranty. Manufacturer's warranty applies to all fabrics.

General Care

CLEANING & CARE

The furniture should be regularly cleaned with a soft, dry cloth. If required, a damp, soft cloth may be used. Do not use abrasive, ammonia, bleach, spirit or oil-based cleaners, including D10 sanitiser. Periodically check and tighten hardware as necessary.

TOPS: MFC LAMINATE

All MFC products can easily be cleaned with a damp cloth and a mild soap, or detergent if necessary, and buffed dry with a clean cloth. Never use abrasive powders or scouring pads to clean stubborn marks. In extreme circumstances, a mild alcohol product can be used, however this must be followed by a damp cloth soaked in water, ensuring no alcohol residue is present afterwards.

TOPS: FORBO FURNITURE LINOLEUM

Please refer to the supplier's instructions: https://www.forbo.com/flooring/en-gb/products/linoleum/furniture-linoleum/bnare2#panel_104

TOPS: FENIX NTM

Fenix options can be viewed [here](#)

WOOD FINISHES

The fine finish applied during manufacture is a hard protective lacquer resistant to moderate heat and spillages of some beverages, but not alcohol. All spillages should be wiped off immediately with a slightly damp cloth to avoid any permanent staining. Always wipe surfaces in the direction of the wood grain. More stubborn stains can generally be removed by applying a mild, lukewarm non-abrasive soap solution using a soft lint-free cloth, gently rubbing over the stain working up a thin lather. Dry immediately using a clean soft cloth.

SAFETY WARNINGS

Furniture can be dangerous if improperly assembled or installed. Assembly should be completed by a qualified person following the provided assembly instructions.

Do not stand on furniture, as it could cause a fall. With assistance of another person, always lift, do not drag large or heavy furniture into position.

Environmental Practices

During the design process we ensured that any aspects of the design which could be produced using recyclable or recycled materials. The frame is produced from Mild steel which as an average contains 25% previously recycled steel and is 100% recyclable at the end of its life. It was crucial to the design ethos that the different elements were easy to replace if damaged or worn. We embodied the design process of slow- and fast-moving parts so that the top which is a high-wear component can be removed and replaced without having to replace the whole table.

Workstories is dedicated to being environmentally conscious. We strive to ensure the continued availability of natural resources for current and future generations, and as part of our mission, we recognise the responsibility to protect human health and the environment, and to continually improve our operations.

To carry out this commitment, it is our policy to ensure all our factories:

Meet or exceed the requirements of all environmental laws and regulations applicable to our operations.

Limit our impact on the environment to the extent practicable and work to reduce recognised environmental risks to our employees and the communities in which we operate by employing safe technologies and operating procedures.

Continually assess our environmental programs and monitor our environmental performance.

Have operating policies and programs in place to implement our Environmental Quality Policy.

Workstories guarantees limited carbon footprint for our products. Workstories is a full member of FIRA and FISP. We hold FSC, ISO9001 and ISO14001 certifications.



Last updated: 31/10/2022

workstories...

workstories.com