

CUB

Technical sheet

sourcecetek.com/global



sourcecetek

Introducing a stylish in-surface unit with a low-profile design. Utilising an eco-friendly recycled PET felt surround.

CUB is a compact in-surface solution designed to provide easy access to power, data, and USB charging. CUB adds a soft, tactile look and feel to the workplace.

CUB Up is an innovative access lid featuring a dual pivot point. The lid swivels in both directions, providing convenient access from either side of a table without the possibility of the lid being removed.

CUB Powerhouse is an under-surface solution that provides seamless power, data, and USB charging to a table. When paired with CUB Up, this product enables users to conveniently access the enclosed power, data, and USB modules from either side of a table.



	PRODUCT INFORMATION	OPTIONS	FINISH	PRODUCT CODE
Cub 	In-desk module	2 Power with dual charge USB A&C	Black/Grey	SOU/P-ID-CUBC-M-2DFCAC-2-BG
	With PET felt tray (minimum 50% post consumer recycled content)		Black/Dark Grey	SOU/P-ID-CUBC-M-2DFCAC-2-BDG
	W: 303mm D: 93mm 200mm drop lead to GST18		Black/Beige	SOU/P-ID-CUBC-M-2DFCAC-2-BBG
Cub Up 	Lid to match your Workstories table top (MFC, Fenix or Forbo). Other finishes P.O.A	To pair with Cub Powerhouse	MFC/Grey	SOU/P-ID-CUBUP-M-2DFCAC-2-G-LID-●
	With PET felt tray (minimum 50% post consumer recycled content)		MFC/Dark Grey	SOU/P-ID-CUBUP-M-2DFCAC-2-DG-LID-●
	W: 349mm D: 209mm		MFC/Beige	SOU/P-ID-CUBUP-M-2DFCAC-2-BG-LID-●
Cub Powerhouse 	Under-desk module	4 Power with 2 dual charge USB A&C	Black/Grey	SOU/P-ID-CUBP-M-42DFCAC-2-BG
	With PET felt tray (minimum 50% post consumer recycled content)		Black/Dark Grey	SOU/P-ID-CUBP-M-42DFCAC-2-BDG
	W: 412mm D: 320mm H: 150mm 200mm drop lead to GST18		Black/Beige	SOU/P-ID-CUBP-M-42DFCAC-2-BBG
Cub "up" grades	1 HDMI Keystone + lead		Please contact your Sales representative to confirm coding	
	1 CAT6 Keystone + lead			
	1 USB C Keystone for audio and 60w charging (charger not included)			
	Cable Pass Through			



ELECTRICAL PARAMETERS

2 x UK Power
 4.2A Dual Fast Charge USB
 USB Type A : 2.4A
 USB Type C : 3A
 Combined : 4.2A
 800mm Drop Lead to Male GST

INPUT

Voltage range 200-240V AC
 Frequency 50/60Hz
 Rated current 16A Max
 Turn on delay <1S

OUTPUT — USB A

12W
 Type BC1.2
 Voltage 5V ±5%
 Max voltage (no load) 5V ±5%
 Current 2.4A

OUTPUT — USB C

15W
 Type C DFP/BC1.2
 Voltage 5V ±5%
 Max voltage (no load) 5V ±5%
 Current 3A

PROTECTION

DC overcurrent Auto reset
 DC overvoltage Auto reset
 Reset after shutdown Yes
 Over-temperature Yes

INTELLIGENT DEVICE RECOGNITION

IDR Auto

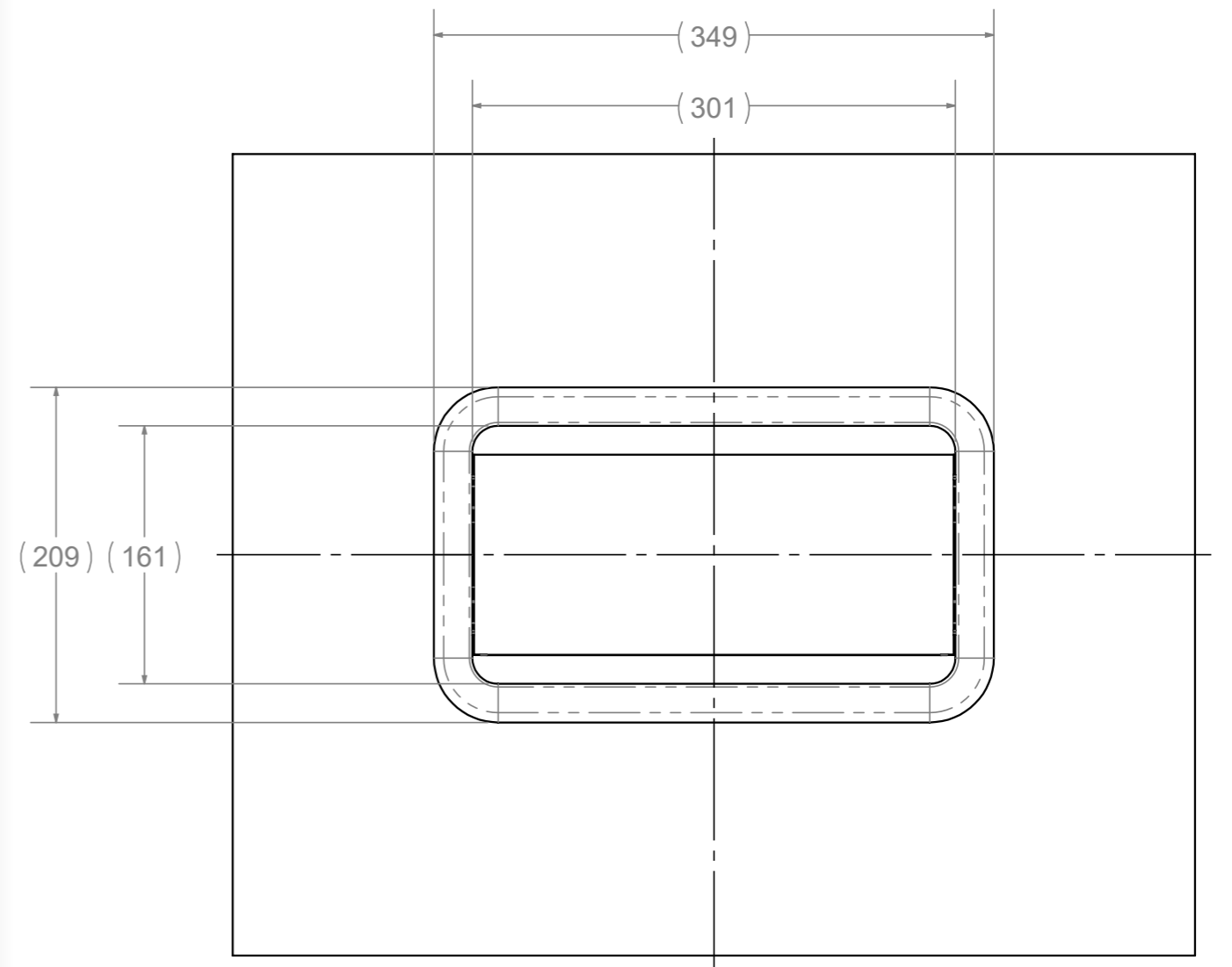
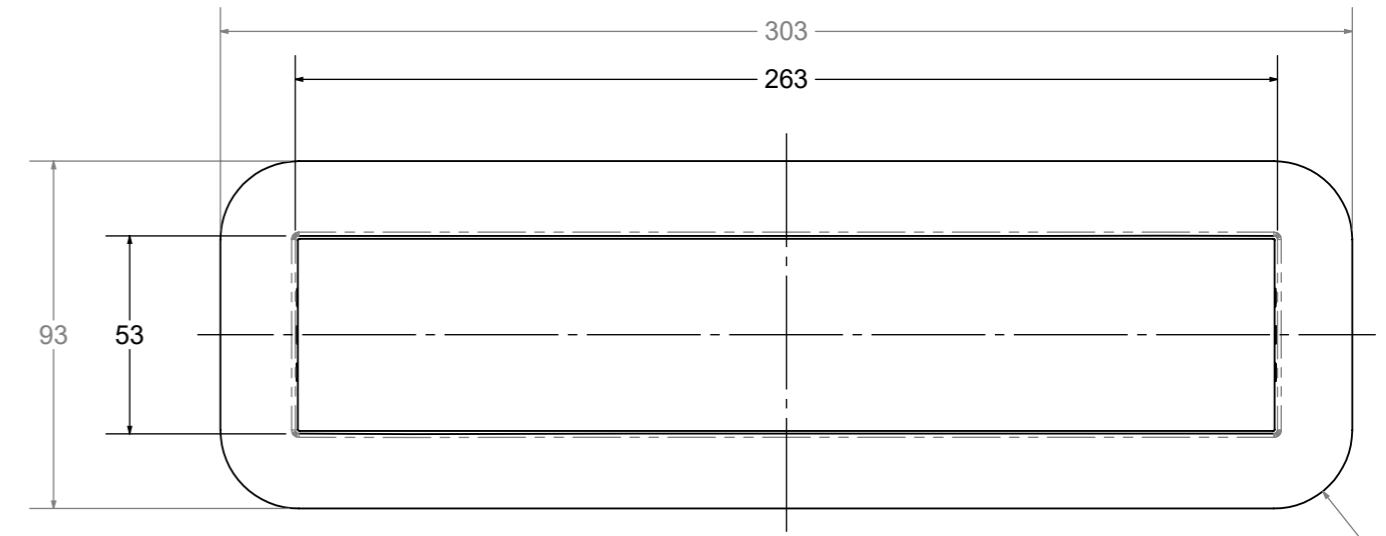
ENVIRONMENT

Temperature 0°-45°C
 Altitude 2km max

CONFORMITY

Safety standard BS6396.2022
 EMI EN55022
 Hi-POT test <5mA/3000V/60S
 Environment ROHS

FINISHES



Sourcetec is part of the Workstories group and is a registered trademark.

Warranty

Workstories Ltd offers a 1-year warranty on our Sourcetec range.

This applies only if products have been used within and by standard office conditions. Wear and tear must be expected from normal use and are not covered by the warranty.

General Care

CARE & MAINTENANCE

–
Apart from replacing or resetting fuses, Sourcetec products are manufactured to be maintenance free. For periodic cleaning, disconnect the unit from the power source and use a soft damp cloth, immediately after dry the unit with a soft dry cloth. Do not use harsh chemical solvents or detergents.

TESTING

–
All Sourcetec units are tested before they leave the factory, any suspected damage or manufacturing defects need to be raised with Sourcetec immediately for further investigation.

Environmental Practices

Workstories is dedicated to being environmentally conscious. We strive to ensure the continued availability of natural resources for current and future generations, and as part of our mission, we recognise the responsibility to protect human health, the environment, and natural resources, and to continually strive to improve the environmental quality of our operations.

To carry out this commitment, it is our policy to ensure all our factories:

Meet or exceed the requirements of all environmental laws and regulations applicable to our operations.

Limit our impact on the environment to the extent practicable and work to reduce recognised environmental risks to our employees and the communities in which we operate by employing safe technologies and operating procedures.

Continually assess our environmental programs and monitor our environmental performance.

Have operating policies and programs in place to implement our Environmental Quality Policy.

sourcetec

sourcetec:global