



Arc

PRODUCT CARD

SHOWROOM

—
Parchment House
13 Northburgh Street
London EC1V 0JP

CONTACT

—
info@workstories.com
+44 (0)20 3735 5224
workstories.com



MADE IN
THE UK



atelier

Arc

Designed by **ATELIER**

The Arc coffee table range is to compliment the Workstories portfolio with a clean, simple aesthetic.

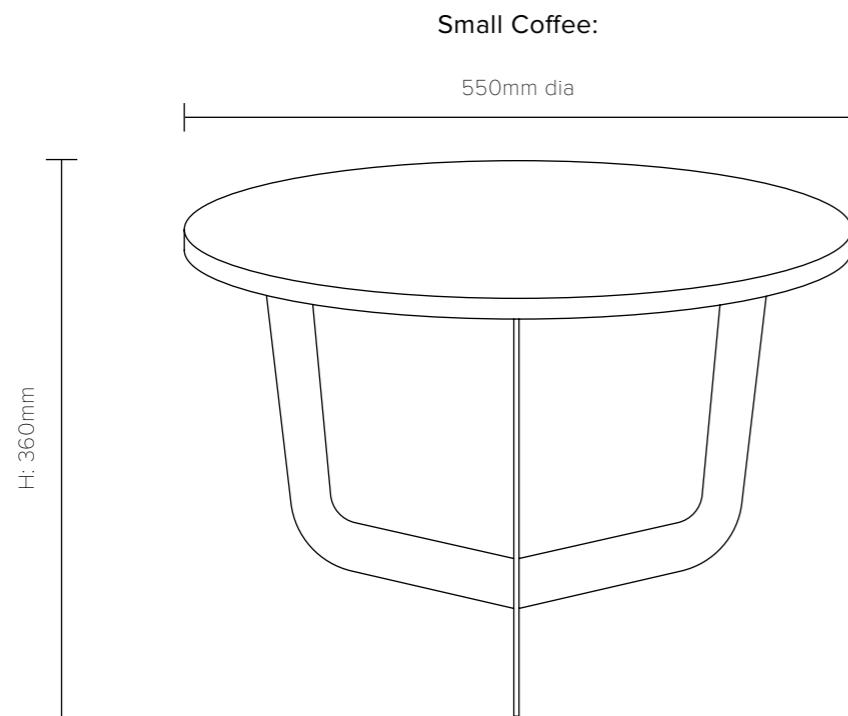
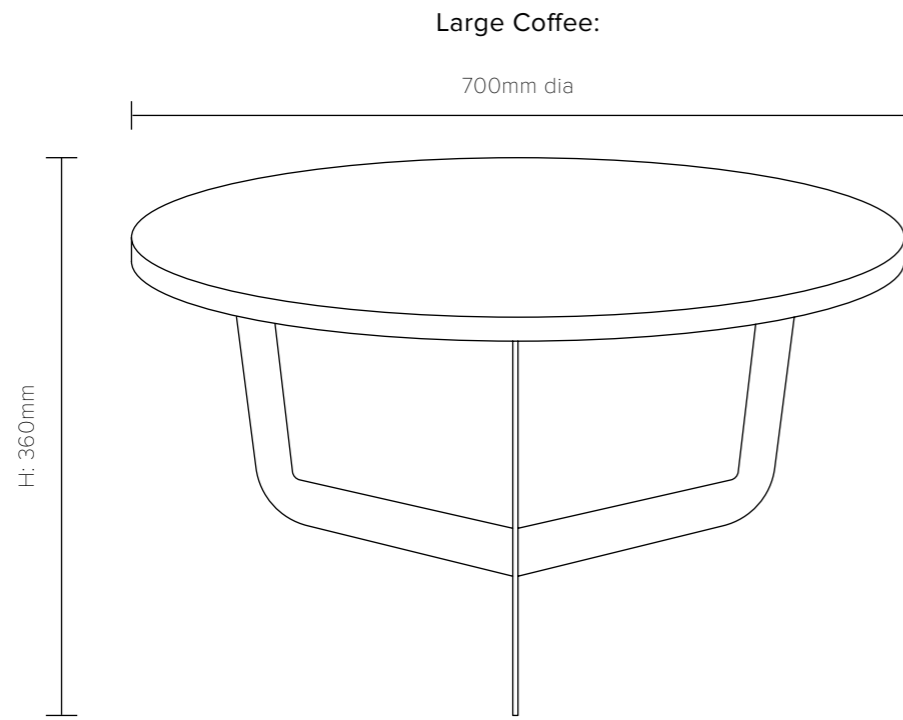


There are currently two sizes that have three laser-cut steel legs with the option of a wooden or metal top.

Dimensions

Large Coffee 700mm dia
 H: 360mm

Small Coffee 550mm dia
 H: 360mm



Finishes

Top – 18mm MFC finishes
White, Light grey, Stone grey, Cashmere grey, Kaisersberg Oak, Anthracite (subject to an upcharge). Bespoke finishes also available (incl. Forbo, Fenix, Veneer or Solid wood)

Frame – Black as standard
Bespoke powder-coating available P.O.A.

Materials

Frame – Sheet steel
Top – Steel or MFC



Warranty

Workstories Ltd offers a 5-year warranty on our Atelier range.

This applies only if products have been used within and by standard office conditions. Wear and tear must be expected from normal use and are not covered by the warranty. Manufacturer's warranty applies to all fabrics.

General Care

CLEANING & CARE

–
The furniture should be regularly cleaned with a soft, dry cloth. If required, a damp, soft cloth may be used. Do not use abrasive, ammonia, bleach, spirit or oil-based cleaners, including D10 sanitiser. Periodically check and tighten hardware as necessary.

TOPS: MFC LAMINATE

–
All MFC products can easily be cleaned with a damp cloth and a mild soap, or detergent if necessary, and buffed dry with a clean cloth. Never use abrasive powders or scouring pads to clean stubborn marks. In extreme circumstances, a mild alcohol product can be used, however this must be followed by a damp cloth soaked in water, ensuring no alcohol residue is present afterwards.

TOPS: FORBO FURNITURE LINOLEUM

–
Please refer to the supplier's instructions:
https://www.forbo.com/flooring/en-gl/products/linoelum/furniture-linoelum/bnare2#panel_104

TOPS: FENIX NTM

–
Fenix options can be viewed [here](#)

WOOD FINISHES

–
The fine finish applied during manufacture is a hard protective lacquer resistant to moderate heat and spillages of some beverages, but not alcohol. All spillages should be wiped off immediately with a slightly damp cloth to avoid any permanent staining. Always wipe surfaces in the direction of the wood grain. More stubborn stains can generally be removed by applying a mild, lukewarm non-abrasive soap solution using a soft lint-free cloth, gently rubbing over the stain working up a thin lather. Dry immediately using a clean soft cloth.

SAFETY WARNINGS

–
Furniture can be dangerous if improperly assembled or installed. Assembly should be completed by a qualified person following the provided assembly instructions.

Do not stand on furniture, as it could cause a fall. With assistance of another person, always lift, do not drag large or heavy furniture into position.

Environmental Practices

Workstories is dedicated to being environmentally conscious. We strive to ensure the continued availability of natural resources for current and future generations, and as part of our mission, we recognise the responsibility to protect human health and the environment, and to continually improve our operations.

To carry out this commitment, it is our policy to ensure all our factories:

Meet or exceed the requirements of all environmental laws and regulations applicable to our operations.

Limit our impact on the environment to the extent practicable and work to reduce recognised environmental risks to our employees and the communities in which we operate by employing safe technologies and operating procedures.

Continually assess our environmental programs and monitor our environmental performance.

Have operating policies and programs in place to implement our Environmental Quality Policy.

Last updated: 14/08/2022

workstories...

workstories.com