



Lola Sofa

PRODUCT CARD

SHOWROOM

—

Parchment House
13 Northburgh Street
London EC1V 0JP

CONTACT

—

info@workstories.com
+44 (0)20 3735 5224
workstories.com



atelier

Lola Sofa

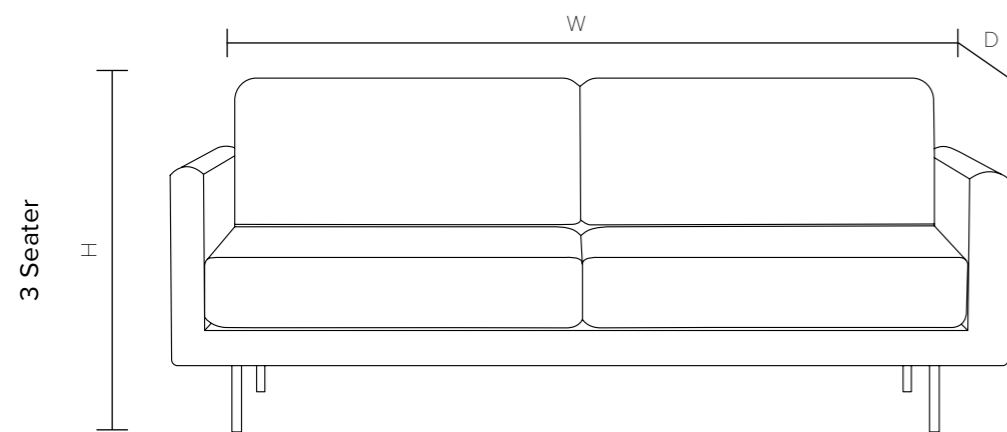
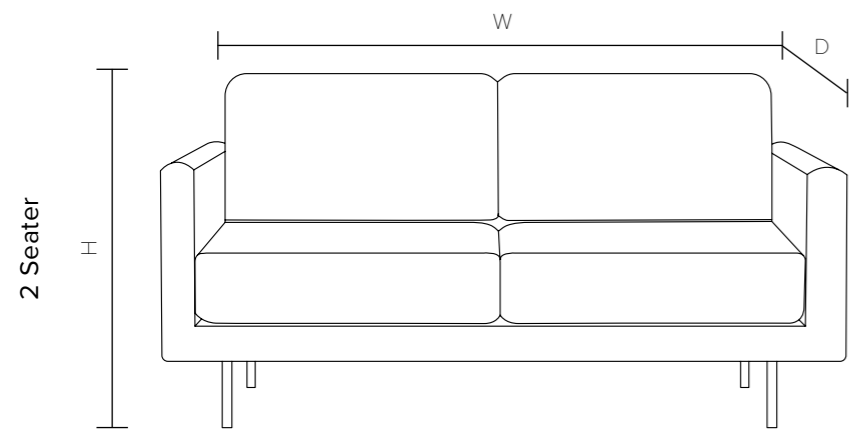
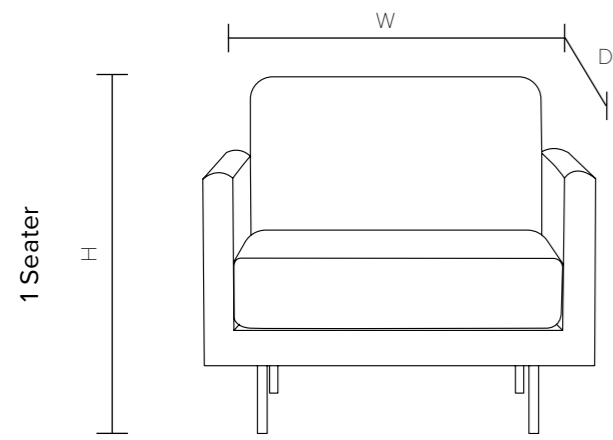
Designed by **ATELIER**

A timeless shape elevated on tubular feet for a reception or breakout space that will never go out of style.



Available as Armchair, 2 or 3-seater

Dimensions



Lola Sofa

D: 880mm
H: 880mm
Seat (H): 480mm
Arm (H): 670mm

1 Seater - W: 860mm
2 Seater - W: 1430mm
3 Seater - W: 2000mm

Finishes

Upholstery – Any fabric of your choice
Base – Black

Materials

Seat – CMHR Polyurethane Foam
Base – Metal feet





Warranty

Workstories Ltd offers a 5-year warranty on our Atelier range.

This applies only if products have been used within and by standard office conditions. Wear and tear must be expected from normal use and are not covered by the warranty. Manufacturer's warranty applies to all fabrics.

General Care

CLEANING & CARE

The furniture should be regularly cleaned with a soft, dry cloth. If required, a damp, soft cloth may be used. Do not use abrasive, ammonia, bleach, spirit or oil-based cleaners, including D10 sanitiser. Periodically check and tighten hardware as necessary.

UPHOLSTERY

Upholstered furniture gets dusty and this can dull the colours and reduce the life of fabrics. Lightly vacuum or brush regularly but never use a stiff brush as this could damage the fibres. If you spill something on the upholstery, wipe excess liquid up immediately with a clean absorbent cloth. Then follow the fabric manufacturers cleaning instructions.

METAL PARTS

Clean with lukewarm soapy water and rinse off with clean water. Wipe the entire surface with a clean, dry cloth.

Environmental Practices

Workstories is dedicated to being environmentally conscious. We strive to ensure the continued availability of natural resources for current and future generations, and as part of our mission, we recognise the responsibility to protect human health and the environment, and to continually improve our operations.

To carry out this commitment, it is our policy to ensure all our factories:

Meet or exceed the requirements of all environmental laws and regulations applicable to our operations.

Limit our impact on the environment to the extent practicable and work to reduce recognised environmental risks to our employees and the communities in which we operate by employing safe technologies and operating procedures.

Continually assess our environmental programs and monitor our environmental performance.

Have operating policies and programs in place to implement our Environmental Quality Policy.



Last updated: 10/08/2023

workstories...

workstories.com